

Specifications

Engine

Model	HINO JO8E
Type:	Direct injection, water-cooled, 4-cycle diesel engine with turbocharger, intercooler (Comply with EU (NRMM) Stage IIIA US EPA Tier III, and Japanese latest Exhaust Emission Regulations)
No. of cylinders:	6
Bore and stroke:	112 mm X 130 mm
Displacement:	7.684 L
Rated power output:	197 kW {265 PS}/2,100 min ⁻¹ {rpm}
Max. torque:	998 N·m/1,600 min ⁻¹ {rpm}

Hydraulic System

Pump	
Type:	Two variable displacement pumps + 1 gear pump
Max. discharge flow:	2 X 294 L/min, 1 X 20 L/min
Max. discharge pressure	
Boom, arm and bucket:	34.3 MPa {350 kgf/cm ² }
Power Boost:	37.8 MPa {385 kgf/cm ² }
Travel circuit:	34.3 MPa {350 kgf/cm ² }
Swing circuit:	29.0 MPa {296 kgf/cm ² }
Control circuit:	5.0 MPa {50 kgf/cm ² }
Pilot control pump:	Gear type
Main control valves:	8-spool
Oil cooler:	Air cooled type

Swing System

Swing motor:	Axial-piston motor
Brake:	Hydraulic; locking automatically when the swing control lever is in the neutral position
Parking brake:	Hydraulic disc brake
Swing speed:	10.0 min ⁻¹ {rpm}
Tail swing radius:	3,500 mm
Min. front swing radius:	4,370 mm

Attachments

Backhoe bucket and arm combination

Use			Backhoe bucket					
			Normal digging				Light-duty	Heavy-digging
Bucket capacity	SAE heaped	m ³	1.2	1.4	1.6	2.3	1.8	1.4
	Struck	m ³	0.84	1.0	1.2	1.84	1.4	1.0
Opening width or X-section	With side cutter	mm	1,240	1,420	1,570	1,930	—	1,390
	Without side cutter	mm	1,110	1,300	1,450	1,760	1,680	1,330
No. of bucket teeth			4	5	5	6	5	5
Bucket weight		kg	930	1,070	1,100	1,500	1,200	1,300
Combinations	2.25 m super short arm		○	○	○	○	○	○
	2.6 m short arm		○	○	○	×	△	○
	3.3 m standard arm		○	○	○	×	×	○
	4.15 m long arm		○	△	×	×	×	×

○ Recommended △ Loading only × Not recommended

Travel System

Travel motors:	2 X axial-piston, two-step motors
Travel brakes:	Hydraulic brake per motor
Parking brakes:	Oil disc brake per motor
Travel shoes:	45 each side (SK330)
	48 each side (SK350LC)
Travel speed:	5.6/3.3 km/h
Drawbar pulling force:	322 kN {32.8 tf} (SAE J 1349 MAY91)
Gradeability:	70% {35°}
Ground clearance:	500 mm

Cab & Control

Cab	
All-weather, sound-suppressed steel cab mounted on the silicon-sealed viscous mounts and equipped with a heavy, insulated floor mat	
Control	
Two hand levers and two foot pedals for travel	
Two hand levers for excavating and swing	
Electric rotary-type engine throttle	

Boom, Arm & Bucket

Boom cylinders:	140 mm X 1,550 mm
Arm cylinder:	170 mm X 1,788 mm
Bucket cylinder:	150 mm X 1,193 mm

Refilling Capacities & Lubrications

Fuel tank:	580 L
Cooling system:	31.1 L
Engine oil:	28.5 L
Travel reduction gear:	2 X 9.5 L
Swing reduction gear:	7.4 L
Hydraulic oil tank:	280 L tank oil level 353 L hydraulic system

Working Ranges

Unit: m

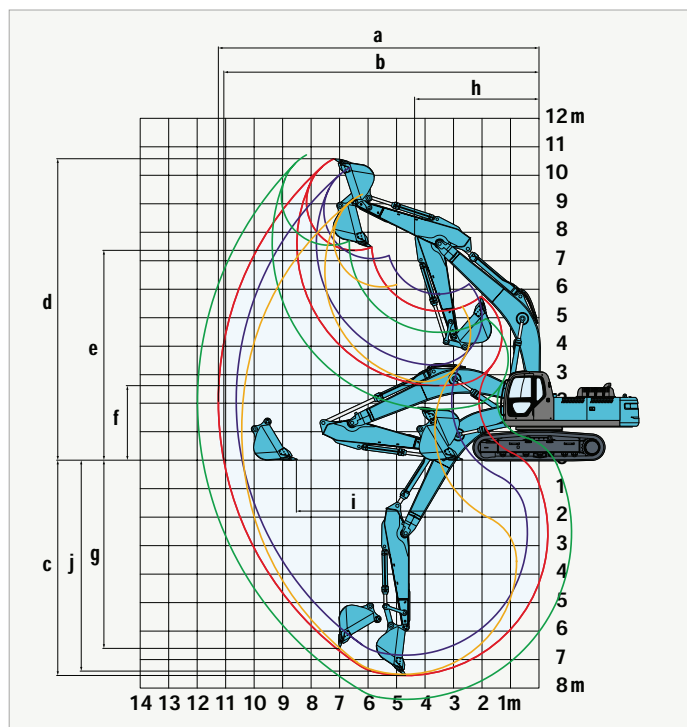
Range	Arm	Super Short 2.25 m	Short 2.6 m	Standard 3.3 m	Long 4.15 m
a - Max. digging reach		10.35	10.61	11.26	11.97
b - Max. digging reach at ground level		10.14	10.4	11.06	11.79
c - Max. digging depth		6.51	6.86	7.56	8.41
d - Max. digging height		10.28	10.26	10.58	10.7
e - Max. dumping clearance		7.05	7.06	7.37	7.53
f - Min. dumping clearance		3.73	3.32	2.62	1.77
g - Max. vertical wall digging depth		5.28	5.84	6.61	7.15
h - Min. swing radius		4.48	4.45	4.37	4.43
i - Horizontal digging stroke at ground level		3.4	4.21	5.82	7.21
j - Digging depth for 2.4 m (8') flat bottom		6.31	6.67	7.4	8.27
Bucket capacity SAE heaped m ³		2.3	1.6	1.4	1.2

Digging Force (ISO 6015)

Unit: kN (tf)

Arm length	Super Short 2.25 m	Short 2.6 m	Standard 3.3 m	Long 4.15 m
Bucket digging force	220 {22.4} 241 {24.6}	221 {22.5} 244 {24.9}*	222 {22.6} 244 {24.9}*	221 {22.5} 243 {24.8}*
Arm crowding force	231 {23.6} 255 {26.0}	205 {20.9} 225 {22.9}*	165 {16.8} 181 {18.5}*	140 {14.3} 154 {15.7}*

* Power Boost engaged.



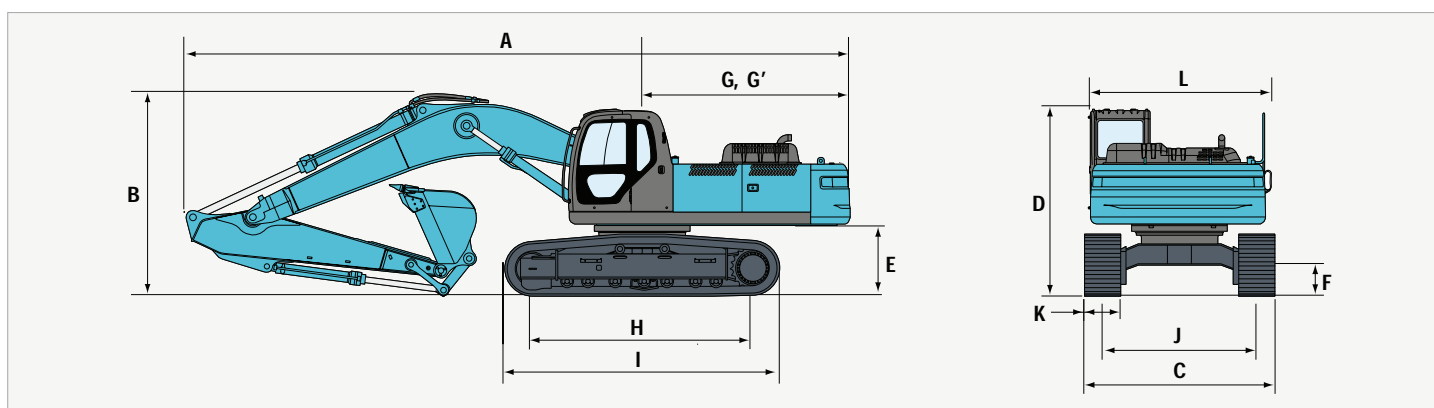
— Super Short Arm
— Short Arm
— Standard Arm
— Long Arm

Dimensions

Arm length	Super Short 2.25 m	Short 2.6 m	Standard 3.3 m	Long 4.15 m
A Overall length	11,410	11,280	11,200	11,230
B Overall height (to top of boom)	3,760	3,640	3,420	3,590
C Overall width	SK330	3,200	3,200	3,200
	SK350LC	3,200	3,200	3,200
D Overall height (to top of cab)	3,160	3,160	3,160	3,160
E Ground clearance of rear end*	1,190	1,190	1,190	1,190
F Ground clearance*	500	500	500	500

		3,500	3,500	3,500	3,500
G Tail swing radius		3,500	3,500	3,500	3,500
G' Distance from center of Swing to rear end		3,500	3,500	3,500	3,500
H Tumbler distance	SK330	3,730	3,730	3,730	3,730
	SK350LC	4,050	4,050	4,050	4,050
I Overall length of crawler	SK330	4,650	4,650	4,650	4,650
	SK350LC	4,980	4,980	4,980	4,980
J Track gauge	SK330	2,600	2,600	2,600	2,600
	SK350LC	2,600	2,600	2,600	2,600
K Shoe width		600/800			
L Overall width of upperstructure		2,950	2,950	2,950	2,950

* Without including height of shoe lug.

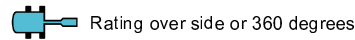
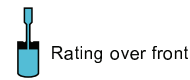
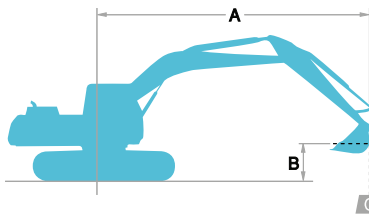


Operating Weight & Ground Pressure

In standard trim, with standard boom, 3.3 m arm, and 1.4 m³ SAE heaped bucket

Shaped	Shoe width	mm	Triple grouser shoes (even height)	
			600	800
Overall width	mm	SK330	3,200	3,400
		SK350LC	3,200	3,400
Ground pressure	kPa (kgf/cm ²)	SK330	68 (0.70)	53 (0.54)
		SK350LC	64 (0.66)	50 (0.51)
Operating weight	kg	SK330	33,600	34,700
		SK350LC	34,300	35,500

Lifting Capacities



- A - Reach from swing centerline to bucket hook
- B - Bucket hook height above/below ground
- C - Lifting capacities in kilograms
- Max. discharge pressure: 37.8 MPa (385 kgf/cm²)

SK330		Standard Arm: 3.3 m Bucket: 1.4 m ³ SAE heaped 1,070 kg Shoe: 600 mm														
B	A	1.5 m		3.0 m		4.5 m		6.0 m		7.5 m		9.0 m		At Max. Reach		Radius
7.5 m	kg									*5,640	*5,640			*3,650	*3,650	8.05 m
6.0 m	kg									*5,840	*5,840			*3,600	*3,600	8.88 m
4.5 m	kg							*7,320	*7,320	*6,370	*6,370	*5,840	4,570	*3,690	*3,690	9.41 m
3.0 m	kg			*12,590	*12,590	*11,730	*11,730	*8,630	*8,630	*7,070	6,030	*6,180	4,390	*3,920	3,830	9.67 m
1.5 m	kg			*7,080	*7,080	*13,950	12,320	*9,850	8,010	*7,760	5,680	6,110	4,200	*4,320	3,680	9.70 m
G. L.	kg			*10,390	*10,390	*15,020	11,670	*10,670	7,570	7,930	5,410	5,960	4,050	*4,980	3,720	9.49 m
-1.5 m	kg	*10,760	*10,760	*14,890	*14,890	*15,030	11,460	*10,920	7,360	7,770	5,260	5,890	3,990	5,870	3,980	9.02 m
-3.0 m	kg	*15,190	*15,190	*20,250	*20,250	*14,170	11,530	*10,500	7,340	7,770	5,260			6,740	4,580	8.26 m
-4.5 m	kg	*20,200	*20,200	*16,970	*16,970	*12,270	11,820	*9,150	7,530					*7,250	5,890	7.10 m
-6.0 m	kg					*8,560	*8,560							*7,090	*7,090	5.29 m

SK330		Standard Arm: 3.3 m Bucket: 1.4 m ³ SAE heaped 1,070 kg Shoe: 800 mm														
B	A	1.5 m		3.0 m		4.5 m		6.0 m		7.5 m		9.0 m		At Max. Reach		Radius
7.5 m	kg									*5,640	*5,640			*3,650	*3,650	8.05 m
6.0 m	kg									*5,840	*5,840			*3,600	*3,600	8.88 m
4.5 m	kg							*7,320	*7,320	*6,370	*6,370	*5,840	4,730	*3,690	*3,690	9.41 m
3.0 m	kg			*12,590	*12,590	*11,730	*11,730	*8,630	*8,630	*7,070	6,230	*6,180	4,550	*3,920	*3,920	9.67 m
1.5 m	kg			*7,080	*7,080	*13,950	12,710	*9,850	8,280	*7,760	5,880	6,340	4,360	*4,320	3,820	9.70 m
G. L.	kg			*10,390	*10,390	*15,020	12,060	*10,670	7,840	8,220	5,610	6,180	4,210	*4,980	3,870	9.49 m
-1.5 m	kg	*10,760	*10,760	*14,890	*14,890	*15,030	11,850	*10,920	7,620	8,060	5,460	6,120	4,150	*6,070	4,140	9.02 m
-3.0 m	kg	*15,190	*15,190	*20,250	*20,250	*14,170	11,920	*10,500	7,610	*8,040	5,460			*6,990	4,750	8.26 m
-4.5 m	kg	*20,200	*20,200	*16,970	*16,970	*12,270	12,220	*9,150	7,790					*7,250	6,100	7.10 m
-6.0 m	kg					*8,560	*8,560							*7,090	*7,090	5.29 m

SK330		Long Arm: 4.15 m Bucket: 1.2 m ³ SAE heaped 930 kg Shoe: 600 mm														
B	A	1.5 m		3.0 m		4.5 m		6.0 m		7.5 m		9.0 m		At Max. Reach		Radius
7.5 m	kg													*2,830	*2,830	8.85 m
6.0 m	kg													*2,780	*2,780	9.62 m
4.5 m	kg									*5,630	*5,630	*5,220	4,670	*2,850	*2,850	10.11 m
3.0 m	kg			*15,930	*15,930	*10,040	*10,040	*7,650	*7,650	*6,390	6,150	*5,640	4,440	*3,020	*3,020	10.35 m
1.5 m	kg			*12,530	*12,530	*12,620	*12,620	*9,030	8,170	*7,180	5,740	*6,090	4,210	*3,310	3,230	10.38 m
G. L.	kg	*6,110	*6,110	*11,720	*11,720	*14,280	11,750	*10,090	7,600	*7,830	5,390	5,910	4,000	*3,780	3,230	10.18 m
-1.5 m	kg	*9,500	*9,500	*14,260	*14,260	*14,880	11,310	*10,650	7,260	7,680	5,170	5,780	3,870	*4,520	3,410	9.74 m
-3.0 m	kg	*12,990	*12,990	*18,060	*18,060	*14,560	11,210	*10,620	7,140	7,590	5,080	5,760	3,860	5,710	3,830	9.04 m
-4.5 m	kg	*16,880	*16,880	*19,250	*19,250	*13,300	11,380	*9,830	7,210	*7,430	5,160			*6,700	4,700	8.00 m
-6.0 m	kg			*15,020	*15,020	*10,720	*10,720	*7,800	7,530					*7,000	6,760	6.46 m

SK330		Long Arm: 4.15 m Bucket: 1.2 m ³ SAE heaped 930 kg Shoe: 800 mm														
B	A	1.5 m		3.0 m		4.5 m		6.0 m		7.5 m		9.0 m		At Max. Reach		Radius
7.5 m	kg													*2,830	*2,830	8.85 m
6.0 m	kg													*2,780	*2,780	9.62 m
4.5 m	kg									*5,630	*5,630	*5,220	4,830	*2,850	*2,850	10.11 m
3.0 m	kg			*15,930	*15,930	*10,040	*10,040	*7,650	*7,650	*6,390	6,350	*5,640	4,600	*3,020	*3,020	10.35 m
1.5 m	kg			*12,530	*12,530	*12,620	*12,620	*9,030	8,440	*7,180	5,930	*6,090	4,370	*3,310	*3,310	10.38 m
G. L.	kg	*6,110	*6,110	*11,720	*11,720	*14,280	12,140	*10,090	7,870	*7,830	5,590	6,140	4,160	*3,780	3,370	10.18 m
-1.5 m	kg	*9,500	*9,500	*14,260	*14,260	*14,880	11,700	*10,650	7,520	7,970	5,370	6,000	4,030	*4,520	3,550	9.74 m
-3.0 m	kg	*12,990	*12,990	*18,060	*18,060	*14,560	11,610	*10,620	7,400	7,870	5,280	5,980	4,020	*5,830	3,980	9.04 m
-4.5 m	kg	*16,880	*16,880	*19,250	*19,250	*13,300	11,780	*9,830	7,480	*7,430	5,360			*6,700	4,880	8.00 m
-6.0 m	kg			*15,020	*15,020	*10,720	*10,720	*7,800	7,800					*7,000	*7,000	6.46 m